

# CHANDLER

## BUTTON SEWER

### INSTRUCTION & PARTS BOOK

#### MODELS:

HAND. . . . . 401  
461  
471

MOTORIZED. . . 472  
475P

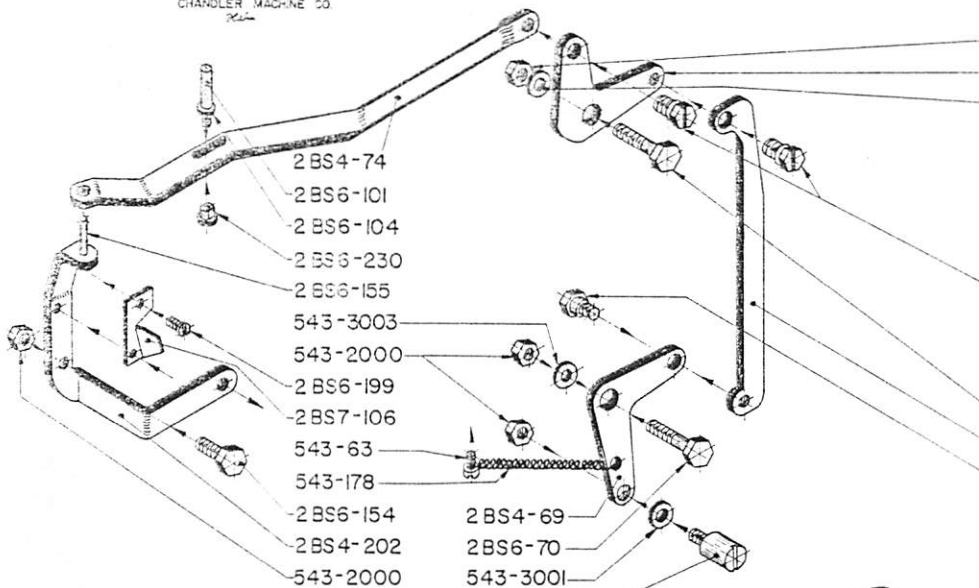
**CHANDLER** MACHINE SALES CO., INC.

2473 Grand Avenue - P. O. Box 8

Baldwin, New York 11510

(516) 623-7500

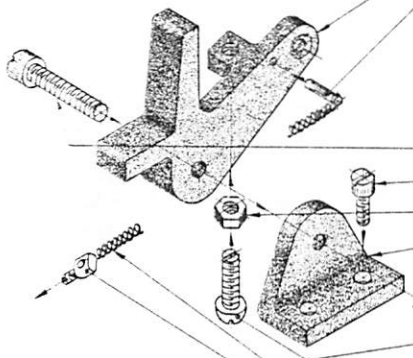
HAND - BUTTON - SEWER  
475P Linkage  
CHANDLER MACHINE CO.



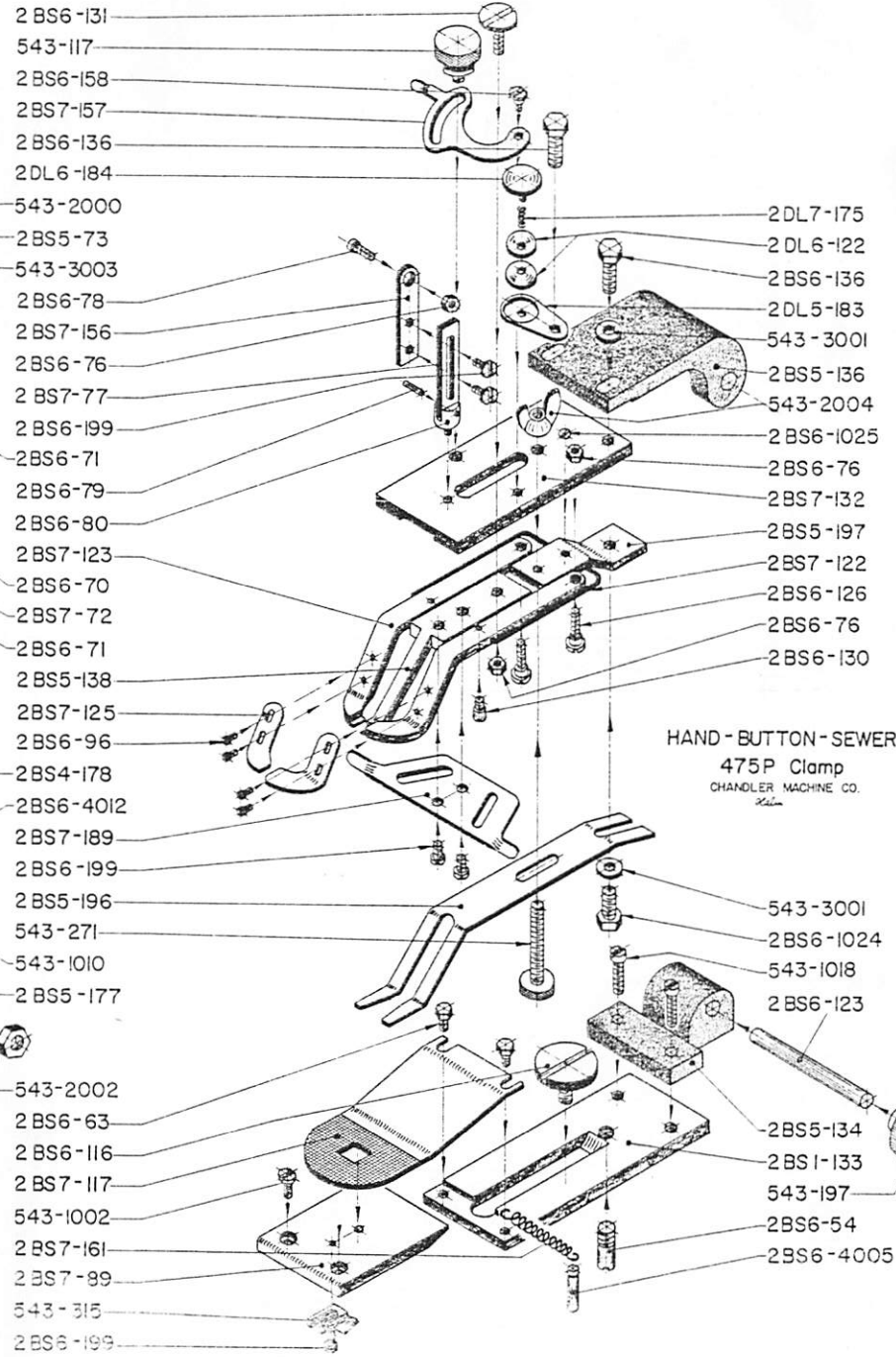
- 2 BS4-74
- 2 BS6-101
- 2 BS6-104
- 2 BS6-230
- 2 BS6-155
- 543-3003
- 543-2000
- 2 BS6-199
- 2 BS7-106
- 543-63
- 543-178
- 2 BS6-154
- 2 BS4-202
- 543-2000

- 2 BS4-69
- 2 BS6-70
- 543-3001
- 543-75
- 543-2002
- 2 BS4-179
- 2 BS6-4012
- 543-1019
- 543-178
- 543-93
- 3N6-1018
- 2 BS6-1023
- 543-1010
- 543-2002
- 2 BS5-177
- 543-2002
- 3N6-1018
- 543-178
- 543-93

FOR SECOND PEDAL ONLY



- 2 BS4-178
- 2 BS6-4012
- 2 BS7-189
- 2 BS6-199
- 2 BS5-196
- 543-271
- 543-1010
- 2 BS5-177
- 543-2002
- 2 BS6-63
- 2 BS6-116
- 2 BS7-117
- 543-1002
- 2 BS7-161
- 2 BS7-89
- 543-315
- 2 BS6-199



- 2 BS6-131
- 543-117
- 2 BS6-158
- 2 BS7-157
- 2 BS6-136
- 2 DL6-184
- 543-2000
- 2 BS5-73
- 543-3003
- 2 BS6-78
- 2 BS7-156
- 2 BS6-76
- 2 BS7-77
- 2 BS6-199
- 2 BS6-71
- 2 BS6-79
- 2 BS6-80
- 2 BS7-123
- 2 BS6-70
- 2 BS7-72
- 2 BS6-71
- 2 BS5-138
- 2 BS7-125
- 2 BS6-96
- 2 BS4-178
- 2 BS6-4012
- 2 BS7-189
- 2 BS6-199
- 2 BS5-196
- 543-271
- 543-1010
- 2 BS5-177
- 543-2002
- 2 BS6-63
- 2 BS6-116
- 2 BS7-117
- 543-1002
- 2 BS7-161
- 2 BS7-89
- 543-315
- 2 BS6-199

HAND - BUTTON - SEWER  
475P Clamp  
CHANDLER MACHINE CO.

- 2 DL7-175
- 2 DL6-122
- 2 BS6-136
- 2 DL5-183
- 543-3001
- 2 BS5-136
- 543-2004
- 2 BS6-1025
- 2 BS6-76
- 2 BS7-132
- 2 BS5-197
- 2 BS7-122
- 2 BS6-126
- 2 BS6-76
- 2 BS6-130

- 543-3001
- 2 BS6-1024
- 543-1018
- 2 BS6-123
- 2 BS5-134
- 2 BS1-133
- 543-197
- 2 BS6-54
- 2 BS6-4005

# HAND-BUTTON-SEWER

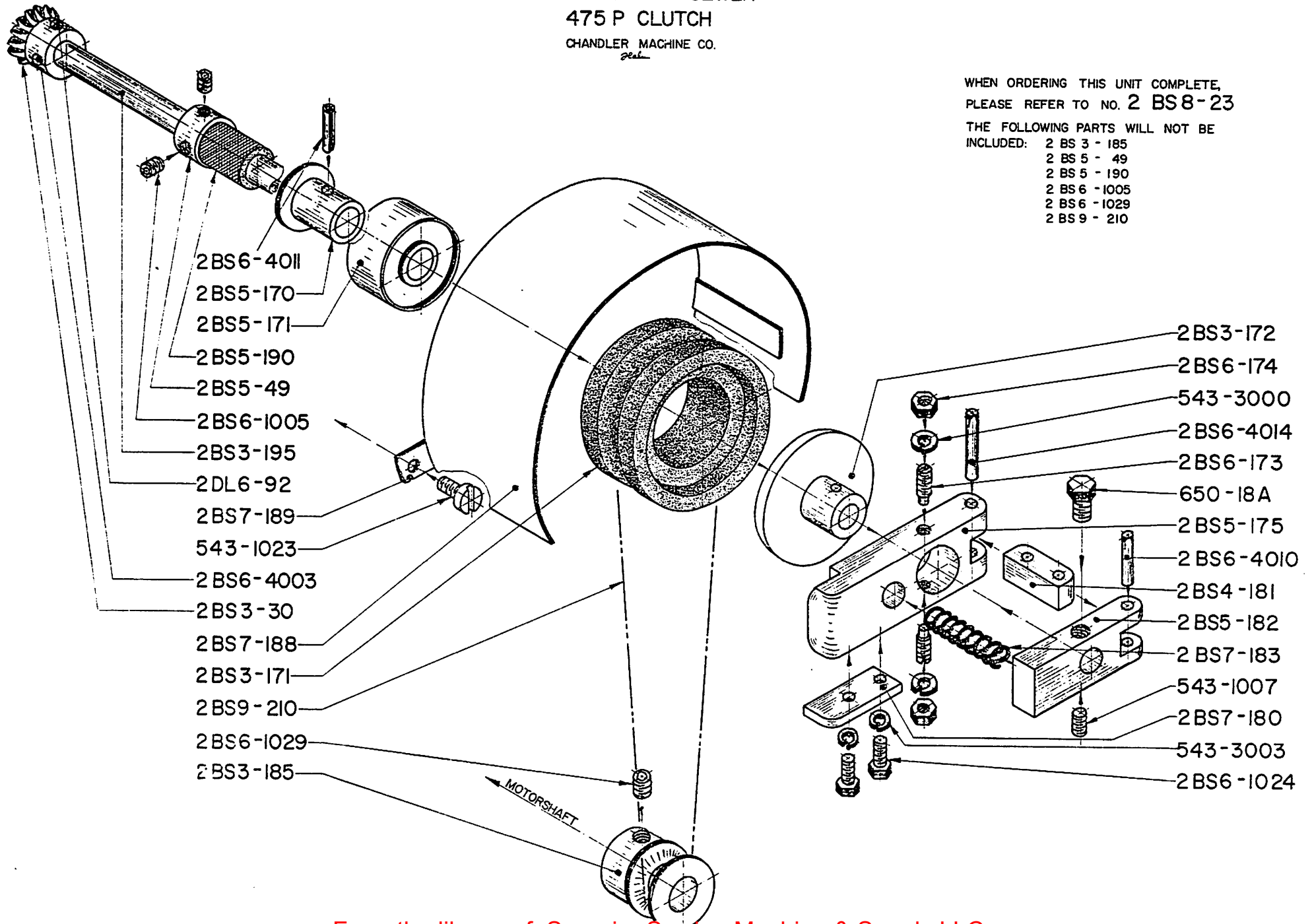
## 475 P CLUTCH

CHANDLER MACHINE CO.  
*224*

WHEN ORDERING THIS UNIT COMPLETE,  
PLEASE REFER TO NO. 2 BS 8-23

THE FOLLOWING PARTS WILL NOT BE  
INCLUDED:

- 2 BS 3 - 185
- 2 BS 5 - 49
- 2 BS 5 - 190
- 2 BS 6 - 1005
- 2 BS 6 - 1029
- 2 BS 9 - 210

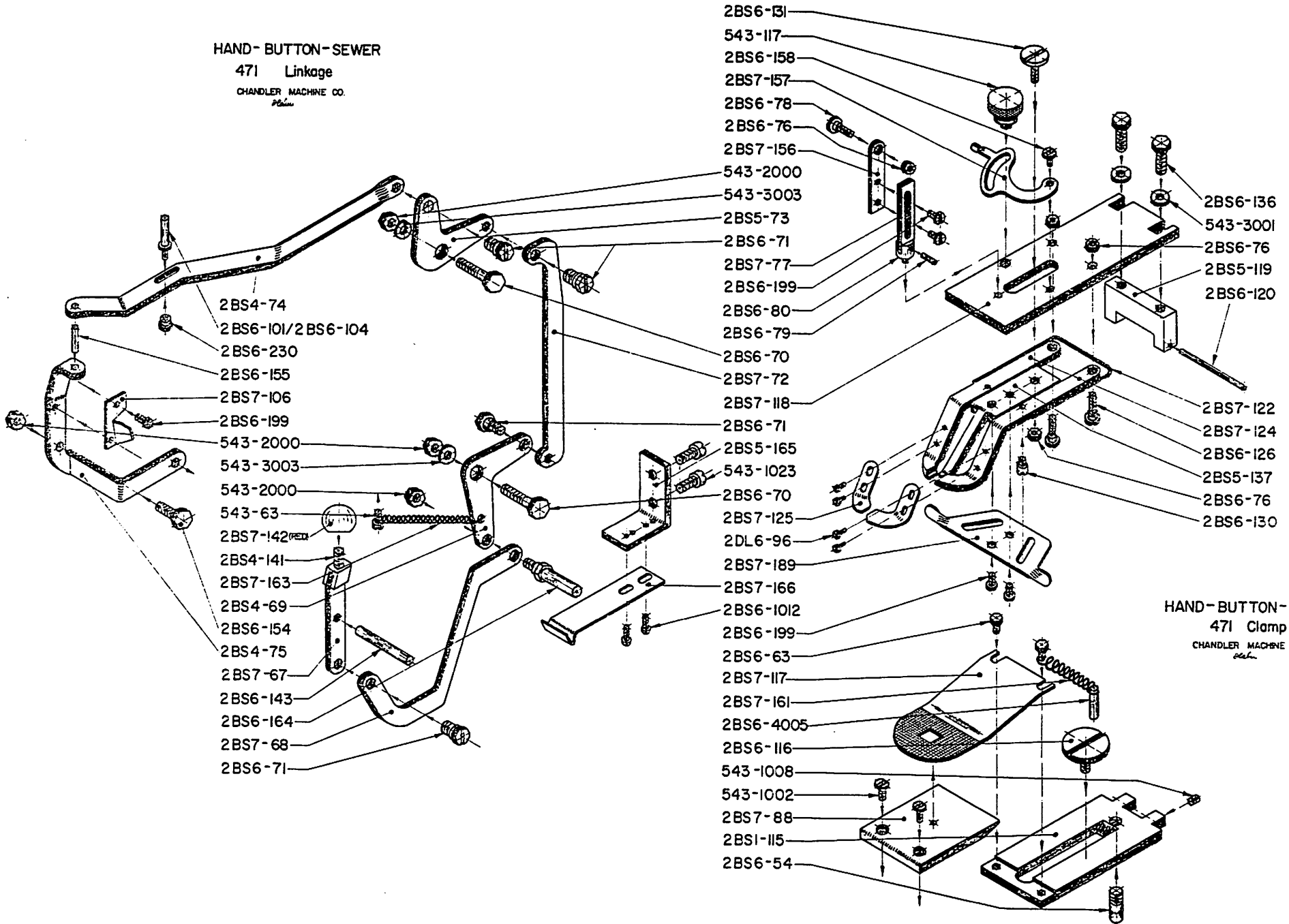


HAND-BUTTON-SEWER

471 Linkage

CHANDLER MACHINE CO.

*pat.*

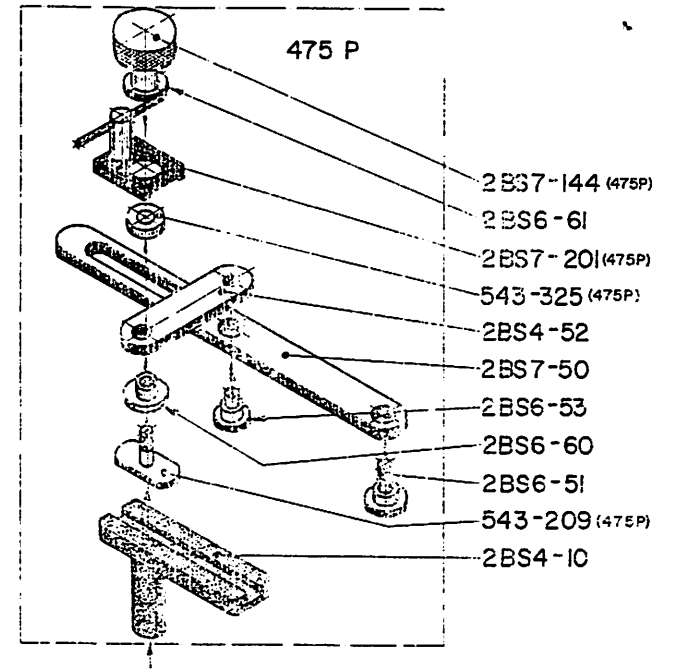
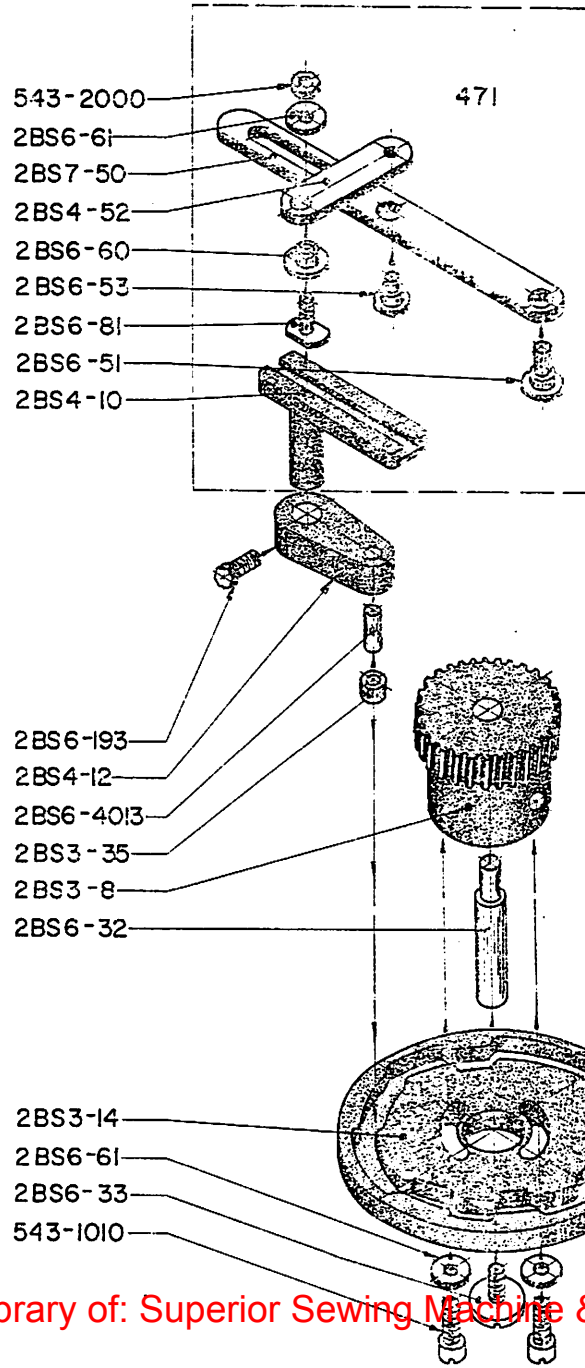
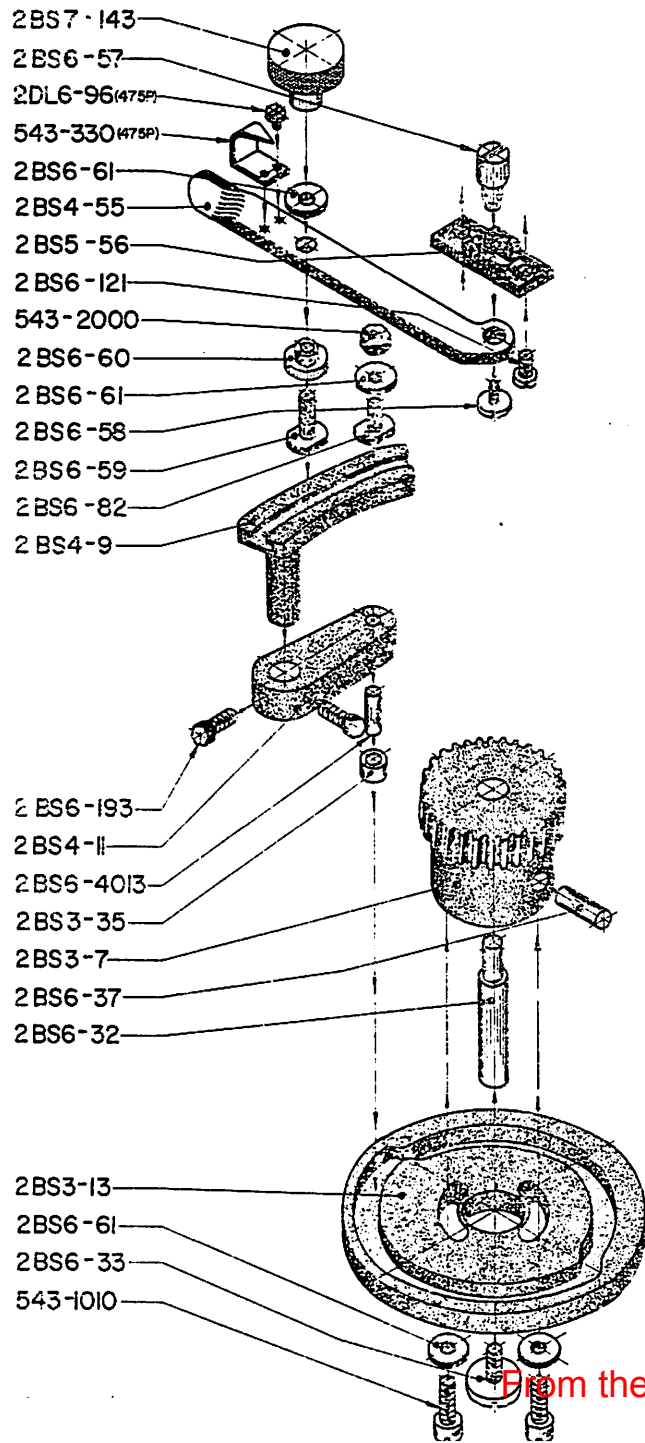


HAND-BUTTON-SEWER

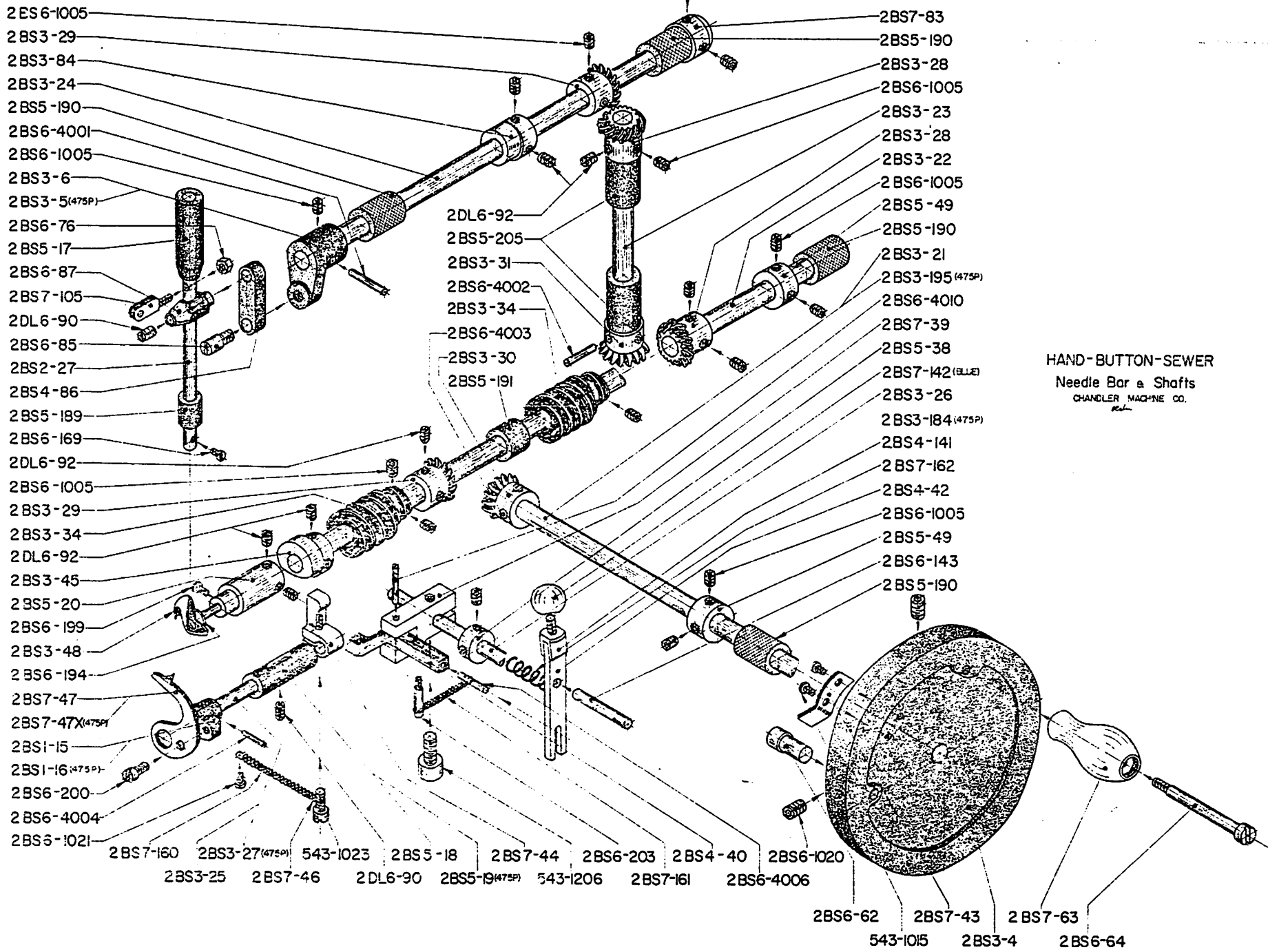
471 Clamp

CHANDLER MACHINE CO.

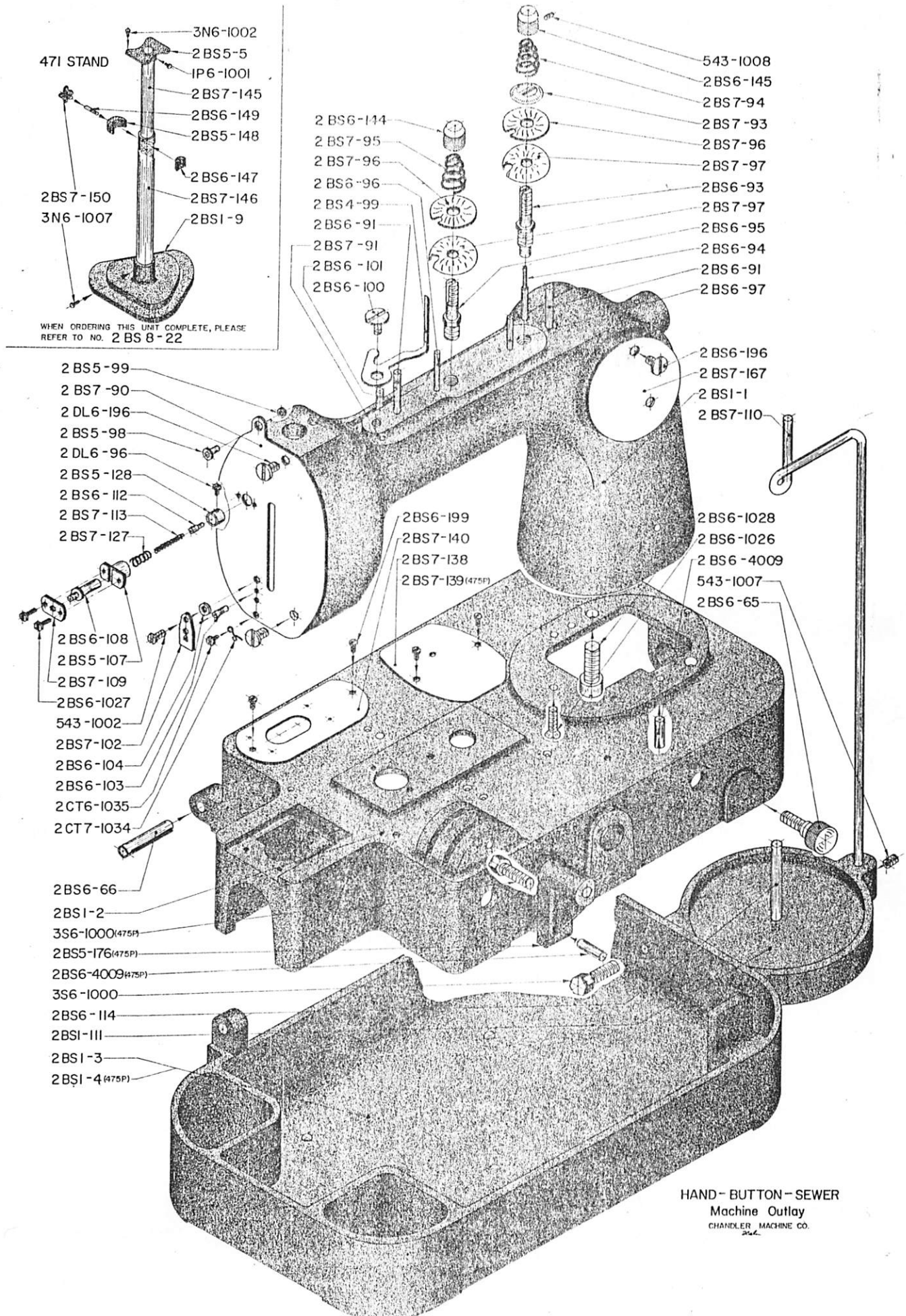
*pat.*

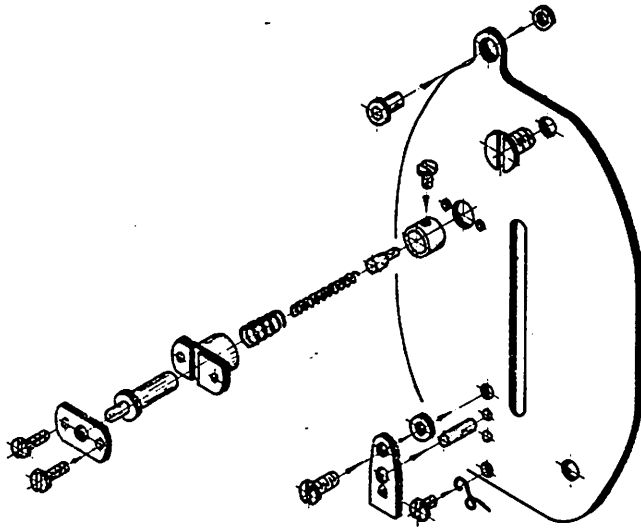


HAND BUTTON SEWER  
 Gears & Cams  
 CHANDLER MACHINE CO.  
*Wm.*

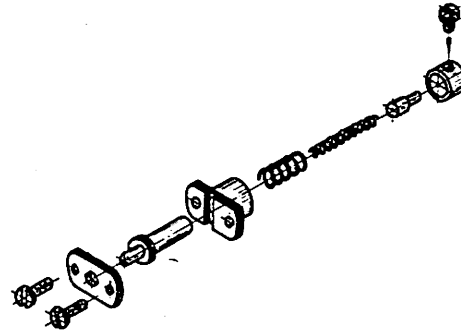


HAND-BUTTON-SEWER  
 Needle Bar & Shafts  
 CHANDLER MACHINE CO.





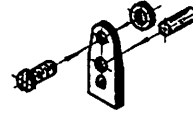
2 BS 8 - 1



2 BS 8 - 2

HAND - BUTTON - SEWER  
CHANDLER MACHINE CO.  
*266*

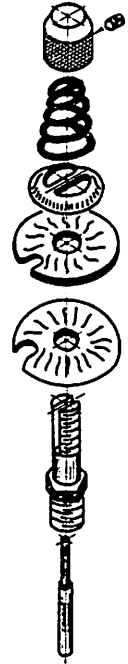
WHEN ORDERING ANY OF THESE UNITS COMPLETE, REFER TO NUMBER ON THIS PAGE ONLY.



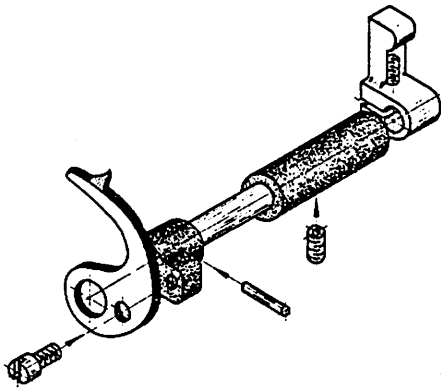
2 BS 8 - 3



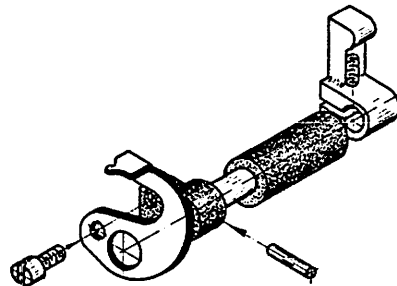
2 BS 8 - 4



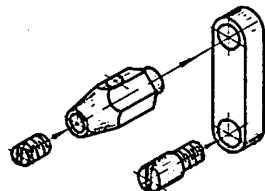
2 BS 8 - 5



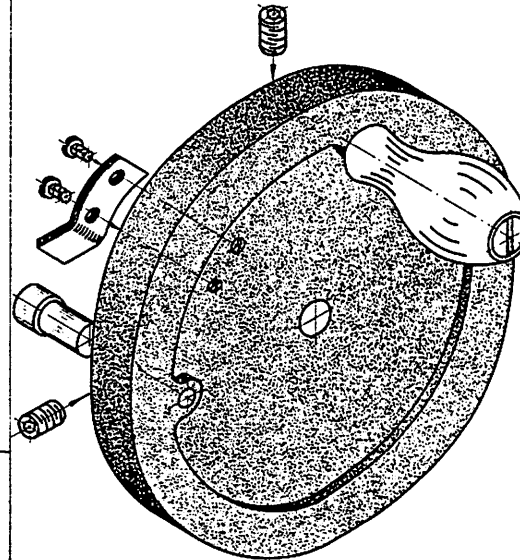
2 BS 8 - 6



2 BS 8 - 7 (475 P)



2 BS 8 - 8



2 BS 8 - 9

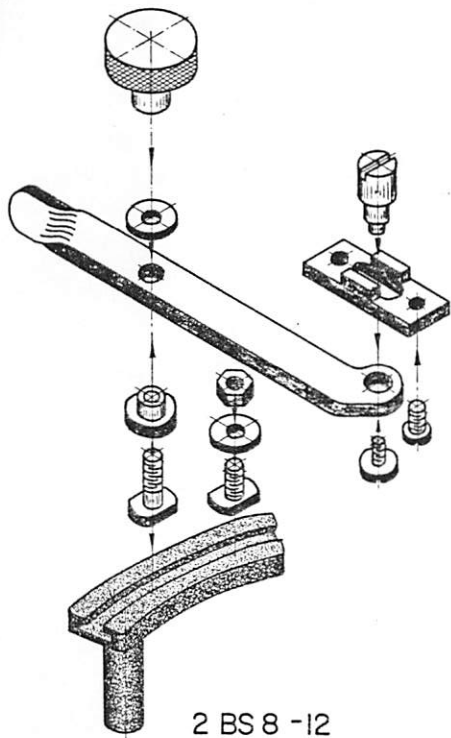


2 BS 8 - 10

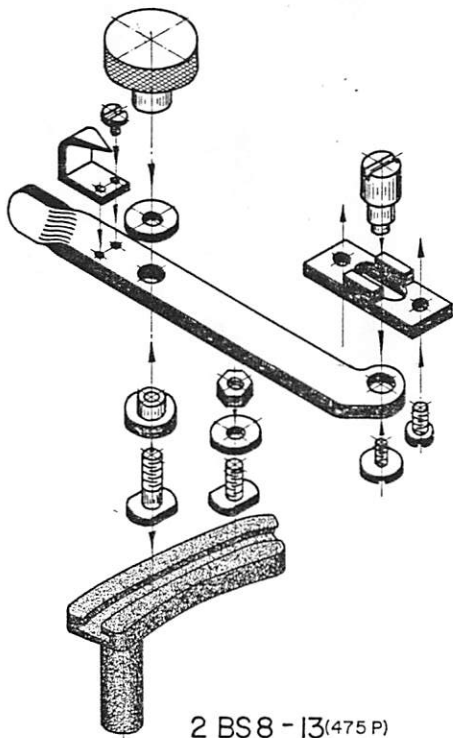


2 BS 8 - 11

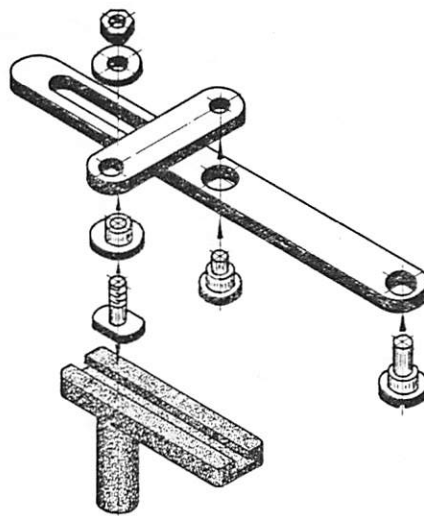




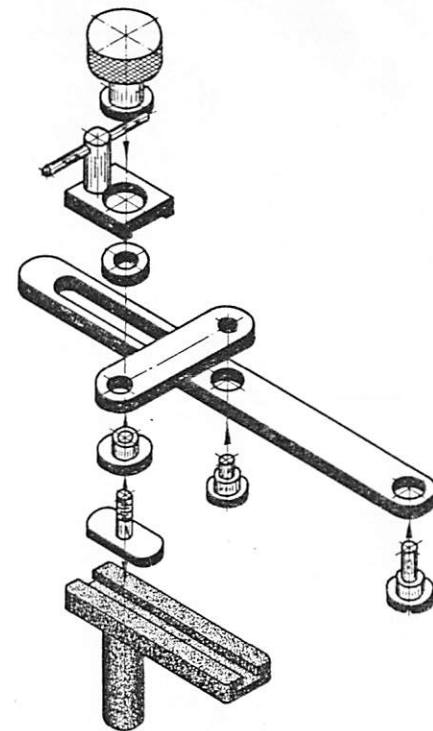
2 BS 8 -12



2 BS 8 -13(475 P)



2 BS 8 -14

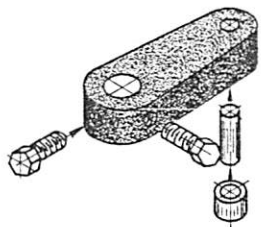


2 BS 8 -15 (475 P)

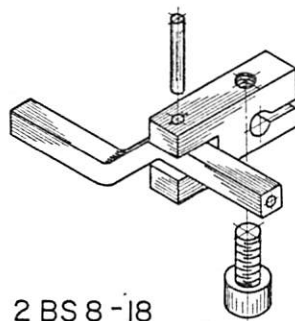
HAND - BUTTON - SEWER  
CHANDLER MACHINE CO.

*206*

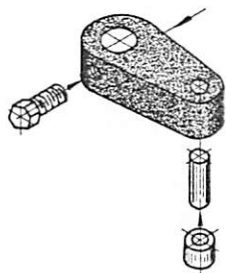
WHEN ORDERING ANY  
OF THESE UNITS  
COMPLETE, REFER  
TO NUMBER ON  
THIS PAGE ONLY.



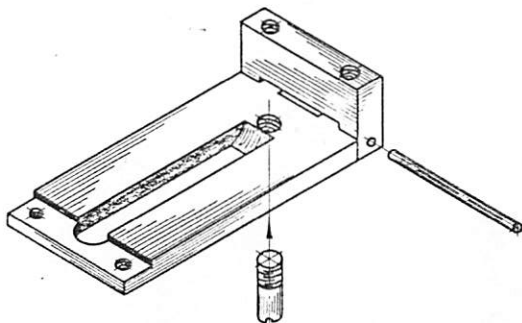
2 BS 8 -16



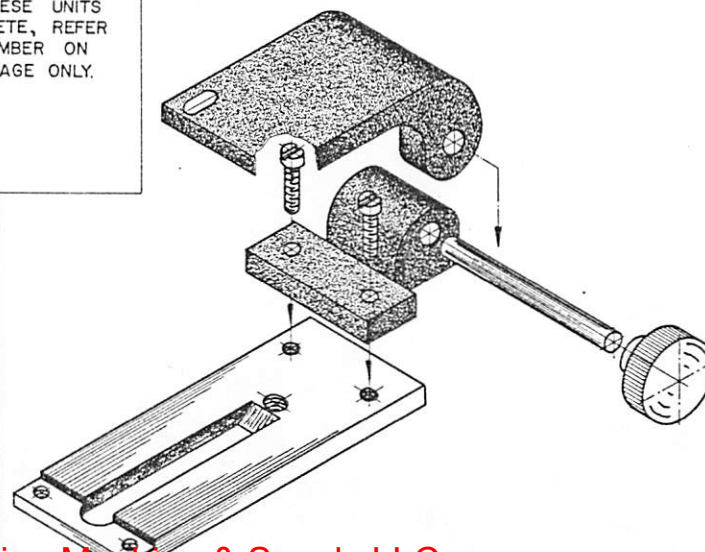
2 BS 8 -18



2 BS 8 -17



2 BS 8 -19



2 BS 8 -20 (475 P)



2 BS 8 -21  
(475 P)

